



Let AgricAD do the work for you

**OWNERS MANUAL
FOR
TF34C CHASER BIN**

JAN 2026

CONTACT: +27 86 100 1204

INTRODUCTION

Warranty Terms

NOTICE — Warranty limitations

This implement is covered by a two-year warranty on parts and workmanship.

Wear parts are excluded from this warranty.

Use of non-original parts, improper operation, or failure to follow these operating instructions may void the warranty.

Complete the warranty registration form at the end of this document and send it to info@agricad.co.za.

Spare Parts and Accessories

⚠ WARNING — Use of non-original parts can compromise safety

AgriCAD supplies genuine spare parts and accessories specifically designed and tested for this implement.

Parts or accessories not supplied or approved by AgriCAD have not been inspected or validated by AgriCAD.

Their installation may:

- Negatively affect design features
- Reduce operational safety
- Cause equipment malfunction or failure

AgriCAD assumes no liability whatsoever for damage resulting from the use of non-original parts or accessories.

Product Changes

Specifications may change without affecting product function.

AgriCAD reserves the right to modify illustrations, technical data, and weights in these operating instructions at any time for the purpose of continuous improvement, without prior notice.

INTENDED USE

General Information

 **WARNING** — Risk of injury or equipment damage if used improperly

This implement has been manufactured in accordance with the latest technical standards and accepted safety regulations. However, during operation, there remains a risk of injury to the operator or third parties, as well as the potential for damage to the implement or surrounding property.

The implement must be operated only for its intended purpose, in technically sound condition, and in strict compliance with these operating instructions.

Any faults—especially those affecting safety—must be corrected immediately.

Only trained and authorised personnel familiar with the implement and its risks may operate, service, or repair it.

Intended Purpose

NOTICE — Use only for its designated agricultural function

This implement is designed solely for transferring grain in agricultural applications.

Any use beyond this, such as using the implement as a means of transport, is considered improper use.

AgriCAD accepts no liability for damage or injury resulting from unintended use.

All risks associated with improper use are borne exclusively by the operator.

Intended use includes strict adherence to all operating, maintenance, and safety instructions.

OWNER RESPONSIBILITY

Responsibilities of the Owner

The owner must:

- Provide the operating instructions to every operator
- Ensure that each operator has read and understood the instructions

These operating instructions are an integral part of the implement and must be kept accessible at all times.

Authorised Operators

 **WARNING — Unauthorised operation may cause severe injury**

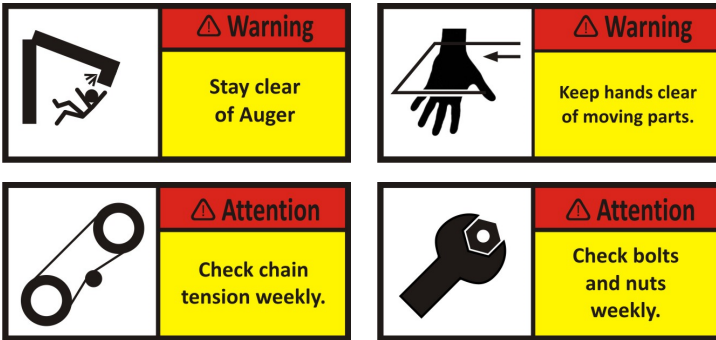
- Operators must be at least 16 years old.
- The operator is responsible for the safety of all third parties in the operating area.
- Only persons who have been authorised and instructed by the owner may operate the implement.

SAFETY AND ACCIDENT PREVENTION

General

The following general safety instructions apply to all sections of this manual.

Take note of safety, warning and operational symbols on the implement.
Examples of such symbols:



Operational Safety

⚠ WARNING – Risk of injury if safety devices are not functional

Before operating the implement:

- Ensure all protective devices, guards, and covers are correctly installed and fully functional.
- Regularly check and tighten all nuts and bolts.
- Inspect tyre pressures at prescribed intervals.
- In case of malfunction, stop operation immediately and secure the implement.

Road Traffic Safety

⚠ WARNING – Unsafe road use may cause accidents

This implement is manufactured as an agricultural implement and may only be used as such on public roads.

⊘ Passengers are strictly prohibited from riding in or on the implement.

SAFETY AND ACCIDENT PREVENTION

Hitching and Unhitching

 **DANGER — Severe crush and entanglement hazards**

There is a significant risk of injury when hitching or unhitching the implement to the tractor's drawbar.

To reduce the risk:

- Park only on firm, level ground
- Use extreme caution when reversing the tractor
- Never stand between the tractor and the implement during hitching or unhitching

GENERAL OPERATIONAL SAFETY

Service and Maintenance

⚠ WARNING — Risk of injury or equipment damage during maintenanceLubrication Point

- Ensure that regular inspections and service intervals are carried out as specified.
- Park the implement on firm, level ground before performing any maintenance or service work.
- Before cleaning with a high-pressure or steam washer, cover all openings that must remain free of water, steam, or cleaning agents.
- Do not spray water directly onto electrical or electronic components.
- Before working on the electrical system, disconnect the implement from the tractor's power supply.
- Re-tighten all bolted connections that were loosened during maintenance or servicing.
- Use caution when cleaning with steam-jet or high-pressure equipment excessive pressure can damage components of the implement.

PTO Shaft

⚠ DANGER — Rotating PTO shafts cause severe entanglement injury

- Install or handle the PTO shaft only with the engine switched off and the PTO disengaged.
- Use only approved PTO shafts equipped with the required safety protection (guards, shields, chains).
- Ensure that the PTO lock mechanisms click firmly into place.
- The PTO shaft length must be checked for each tractor before operating the implement. An incorrect PTO length can lead to gearbox or driveline damage.
- PTO shafts, safety clutches, and shear bolt clutches are matched to the implement's specifications and must never be replaced with non-approved alternatives.

GENERAL OPERATIONAL SAFETY

Hydraulic Connections

⚠ DANGER — High-pressure hydraulic fluid can cause serious injury

-Do not connect hydraulic lines to the tractor until both the tractor and implement hydraulic systems are fully depressurised.

The hydraulic system operates under high pressure; check all hoses, lines, and screw connections regularly for leaks, chafing, or external damage.

-After cleaning, inspect all hydraulic lines again for leaks and loose fittings.

-Replace damaged or worn hoses immediately.

-Hydraulic couplers between tractor and implement are colour-coded to prevent incorrect connections.

Operation

⚠ WARNING — Hazardous movement of the implement during operation

-Check the surrounding area for unauthorised persons before starting the tractor or operating the implement.

-No persons may be within the operating range, especially when opening or closing augers.

-Do not remove any mandatory protective devices, guards, or safety covers.

-Keep clear of all hydraulically operated parts, which may move without warning.

-Use access steps and treads only when the implement is stationary.

-Passengers are strictly prohibited from riding on or inside the implement during operation.

TECHNICAL DATA

Dimensions

Width:	3.7 m
Bin Height:	3.8 m
Auger Eject Height:	4.2 m
Total Length:	8.4 m
Capacity:	34000 liter

Design

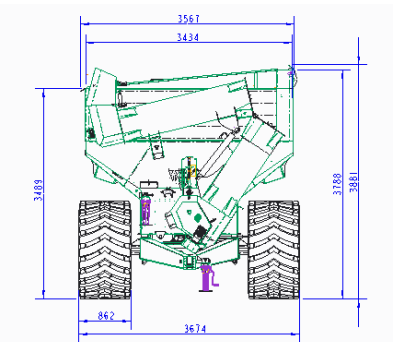
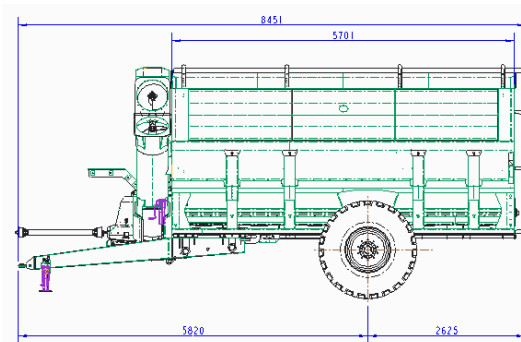
Auger Diameter:	530 mm
Max PTO Speed:	1000rpm
Max Discharge Rate:	8 tonne/min
Standard Tyre:	850/50R30.5
Tyre Pressure:	4 bar
Max Speed Laden:	10km/h
Wheel Nut Torque:	650Nm

Weights

Tare:	6.3 tonne
GVM:	34 tonne
Max Payload:	27 tonne
Draw Bar:	3 tonne

Tractor

Power:	200kW min
Hydraulics:	40 l/min
1 double acting:	Auger Folding
1 double acting:	Auger Gate
1 double acting:	Bottom Dump
1 double acting:	Pivot Chute
1 single acting:	Brake



*optional extras

GENERAL INFORMATION

Service and Maintenance

Ensure that regular inspections are always carried out.

Prior to performing maintenance and servicing work, ensure that the implement is positioned on firm, level ground.

Before cleaning the implement with high pressure cleaning equipment cover all openings, which should stay clear of water, steam or cleaning agents for reasons of safety or operation.

Do not aim the water jet directly at electrical or electronic components.

Prior to working on the electrical system, disconnect it from the tractor.

Re-tighten bolted connections which have been loosened during servicing and maintenance work.

Take caution when washing with steam-jet or high pressure washers as parts of the implement can be damaged by high pressure washers.

Hydraulic connections

Do not connect hydraulic lines to the tractor, before both hydraulic systems (implement and tractor) are de-pressurised.

The hydraulic system is under high pressure. Check all lines, hoses and screwed connections regularly for leaks and any visible external damage.

After cleaning, check all hydraulic lines for leaks and loose connections.

Check hoses for chafing and signs of other damage.

The hydraulic connections between the tractor and implement are colour-coded in order to exclude operating errors.

GENERAL INFORMATION

In operation

Check the area around the implement for unauthorised persons before setting off and starting operation of the implement.

No persons should be in the operating range or when opening or closing augers.

Do not remove any of the mandatory and supplied protective devices.

Stay clear of the operating range of hydraulically operated parts.

Use access steps and treads only at standstill.

Passengers are not allowed to ride on or in the implement during operation

PTO

Install the PTO shaft only with the engine stopped and the PTO-shaft switched off.

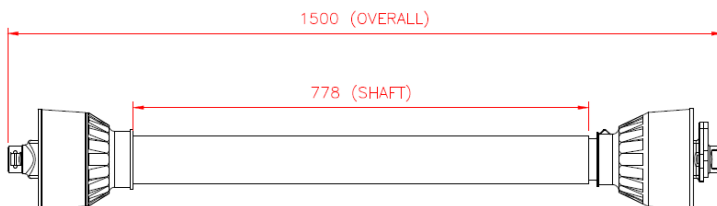
Use only PTO shafts with proper safety protections!

The PTO shaft locks must click into place.

The PTO shaft length must be check for each tractor before the implement can be used.

The PTO shaft is cut to length in the factory but must be check with each tractor used.

PTO shafts as well as shear bolt clutches depend on equipment and power. These items must never be replaced by other equipment.



OPERATION

Tyres

⚠ WARNING — Under inflation can lead to tyre failure

When filling to maximum payload (maximum load bearing capacity), the tyres must be inflated to 4.0 bar.

Check the air pressure regularly, preferably every day.

Under-inflating of the tyres may cause damage to the tyres and rims.

When operating with maximum payload only travel at speeds below 10km/h.

⚠ ATTENTION — Check wheel nuts regularly

Hitch

⚠ WARNING — Under inflation can lead to tyre failure When fully loaded, the drawbar will have a load of 1500kg. Check the tractor manufactory specification. Serious injury may occur if the maximum load is exceeded.

Hitch the implement to the tractor.

Wind up the landing leg and store it on the support bracket on the implement.

Connect PTO shaft to tractor. Use only manufactured specified PTO shaft.

Connect quick coupling hydraulic hoses and electric 7 pin trailer connector.

Hydraulic couplings are colour-coded in order to avoid wrong connections.

Route electric cable and hydraulic hoses in a manner that will not be damaged during operation.
(e.g. when turning)

OPERATION

Coupling of Hydraulics

⚠ WARNING — No person should be in the operating range of the auger

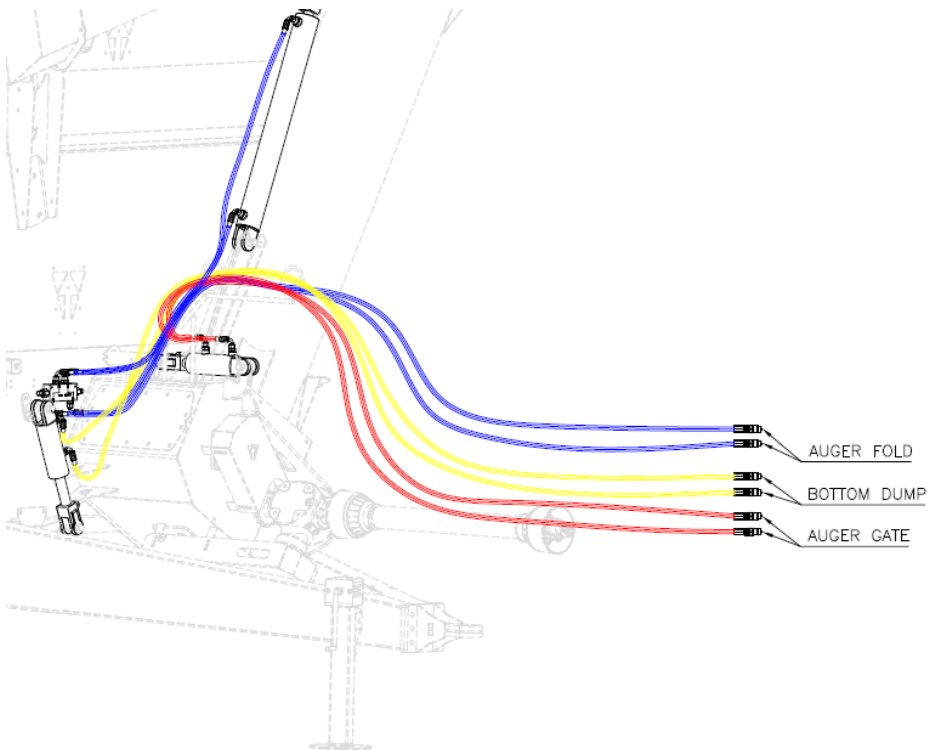
Connecting hydraulic hoses to the tractor:

Hydraulic hoses are colour coded in pairs to avoid wrong connections:

1 x double acting: Folding of auger (Blue).

1 x double acting: Auger gate (Red).

1 x double acting: Bottom dump (Yellow).



OPERATION

Filling with Harvester While Standing Still.

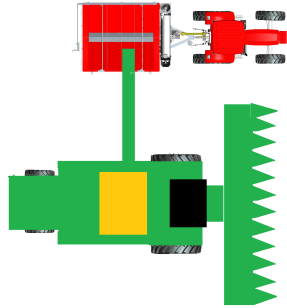
With auger closed.

Gate must be closed.

Slowly move the chaser bin under the eject auger of the harvester.

Start filling from the front, evenly distributing the load through the chaser bin.

Stop filling when the bin is full, by monitoring top window visible from the tractor.



⚠ WARNING — No person should stand in the hopper when filling with grain.

Filling with Harvester While Moving.

With auger closed.

Gate must be closed.

Driving at the same speed as the harvester.

Keep a safe distance from the moving harvester.

Move the chaser bin under the eject auger of the harvester.

Start filling from the front, evenly distributing the load through the chaser bin.

Stop filling when the bin is full, by monitoring top window visible from tractor.

Moving Chaser Bin with Maximum Payload.

Auger must be closed.

When operating with maximum payload only travel at speeds below 10km/h.

Slow down when turning.

OPERATION

Discharging Grain from the Chaser Bin

⚠ WARNING — Do not open or close the auger while the tractor's PTO is engaged!

⚠ WARNING —There is a danger of electric shock when working with an unfolded auger, be aware of any overhead power lines!

Move to the unloading point to discharge.

Open the eject auger up against the end stop.

Start the PTO.

The auger can be operated with a speed of up to 540 rpm.

With increased tractor speed slowly open the gate valve.

When the emptying process is finished or the bin is empty close the gate valve.

Stop the PTO after a short continuation of running the auger, for all grain to be ejected from the eject auger.

Fold the auger back into the closed position.

For road travel the eject auger must be folded into the closed position.

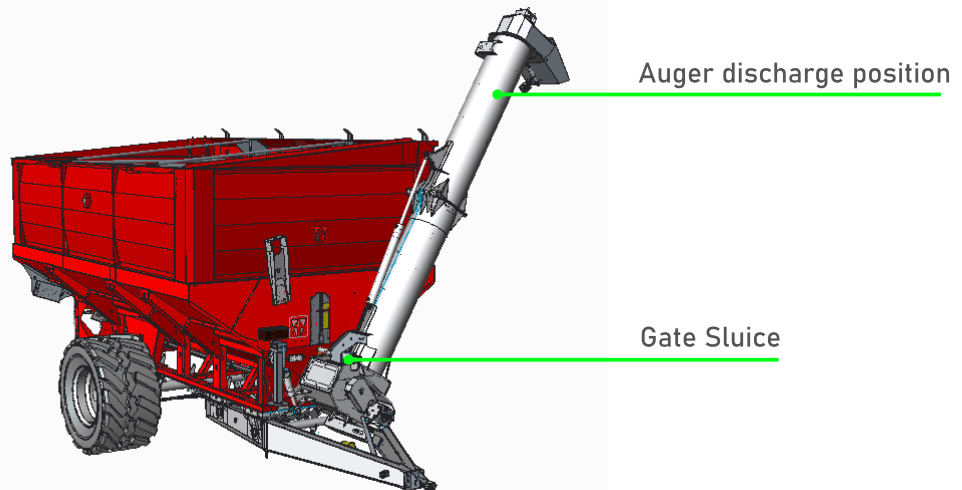
Auger light will work in conjunction with tractor park lights for night operations.

Adjusting the Discharge Rate

The rate of grain discharged from the eject auger can be adjusted by means of the following:

By increasing or decreasing tractor rpm. Do not exceed 540rpm.

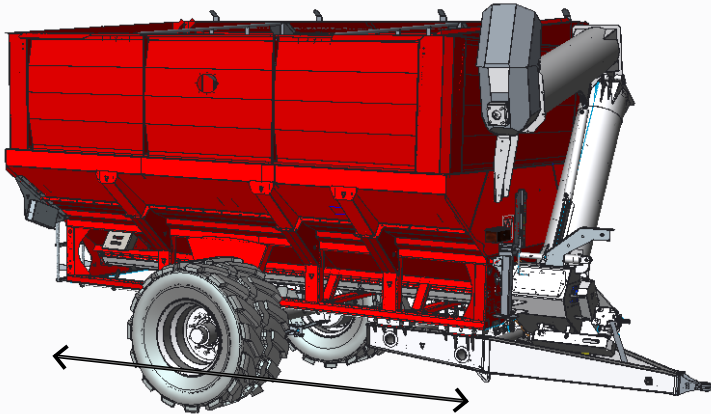
By hydraulically adjusting the bottom auger gate. (Gate Sluice)



OPERATION

Bin Emptying - Bottom Dump

The implement can be emptied over a pit with the bottom dump.
Drive to the unloading point to empty the bin.
Open the gate valve with the control unit.
Open the bottom dump with the control unit.
Close the bottom dump with the control unit after emptying the bin.
Keep hands clear at all time.



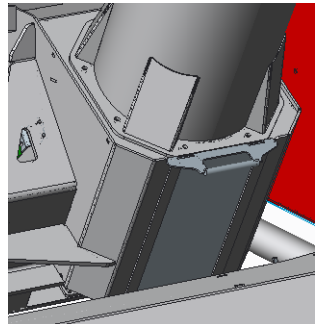
Bottom Dump

Cleaning - Using Bottom Dump

Residues inside the bin can be removed through opening the bottom dump sluice.
For this purpose drive the hopper to a point of choice and open bottom dump sluice.
All or most of the excess residue will fall free from the bin.

Cleaning - Using Grain Box

Residues inside the bin can be removed through opening the bottom dump sluice.
For this purpose drive the hopper to a point of choice and open bottom dump sluice.
All or most of the excess residue will fall free from the bin.



OPERATION

Tarpaulin

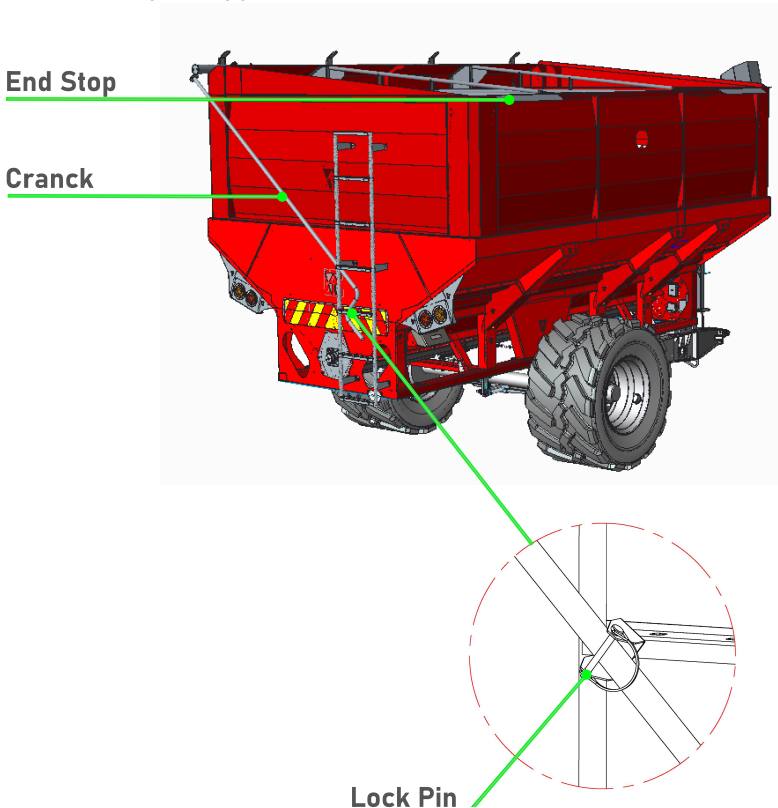
The chaser bin is equipped with a tarpaulin to cover the transported grain.

The tarpaulin protects the transported grain against water and other elements.

The tarpaulin is rolled over the bin by means of the roller crank handle. For this purpose remove the roller crank handle from the stored position. Turning the crank handle to the left to close and to the right to open.

The tarpaulin locks in on itself- when closing continue to roll the crank until it starts to roll back on itself and back toward the end stop. Secure the crank in the locked position.

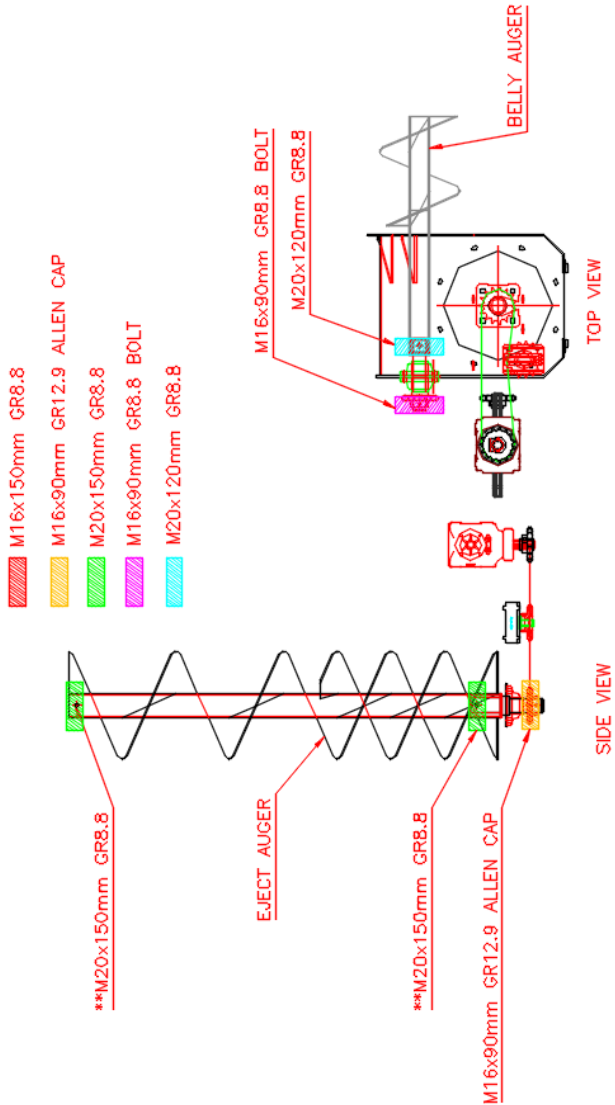
When the crank handle is not in use, it must be locked in place by means of the lock pin supplied.



SERVICE

Shear Bolt

Daily inspection of the shear bolts is important
Use the correct length of shear bolt



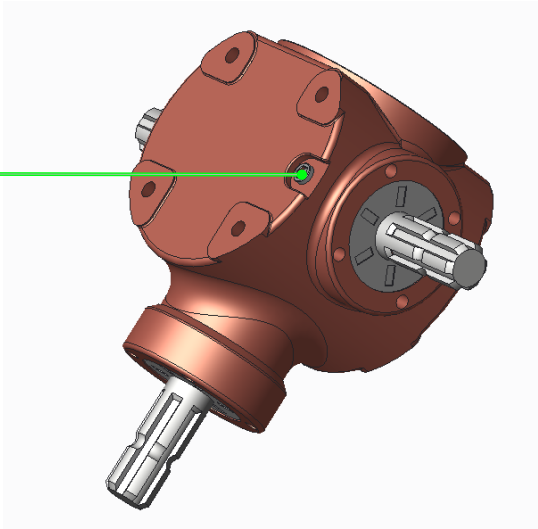
SERVICE

Gearbox

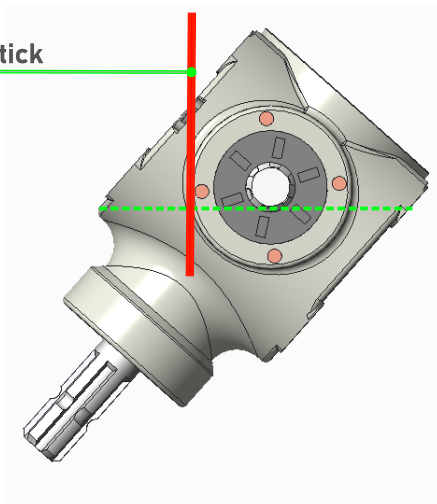
Approximately oil quantity - 1 litre for the gear box.

To check the gearbox oil level , open the plug on the side of the gear box and use a substitute dip stick, for example a cable tie, to check the oil level In the gear box. From the plug end in a down words direction the oil must be 30mm From the plug.

Plug



Measuring Stick



SERVICE

Storing and Parking

The Chaser bin should be parked under a roof so that no moisture can accumulate in the hopper.

Park the implement on level and solid ground.
When parked for longer periods, it is recommended to open the auger sluice.

Move the landing leg from its storage position on the implement and extend it.

Disconnect hydraulic and electrical connections and hook into provided storage holders.

Take care to protect the implement against pest animals like rodents, mice and rats.

Cleaning

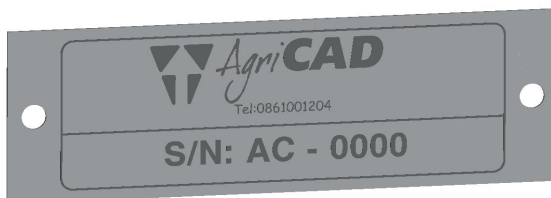
The recommended cleaning and maintenance work should be carried out at regular intervals in order to maintain operational reliability and guarantee optimum performance.

The hydraulic cylinders, bearings and stickers should not be cleaned with a high-pressure cleaner or direct water jet. The seals and bearings are not waterproof under high pressure.

Serial Number Label

The implement serial number is indicated on the plate(see the example at the bottom).

This information is useful when inquiring implement spare parts.
The lable can be found on the front left face when looking at the implement from the draw bar side.



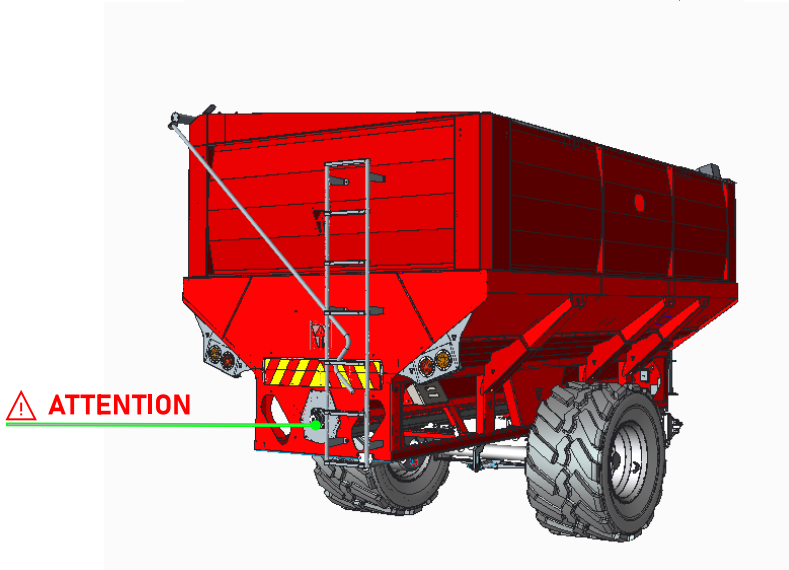
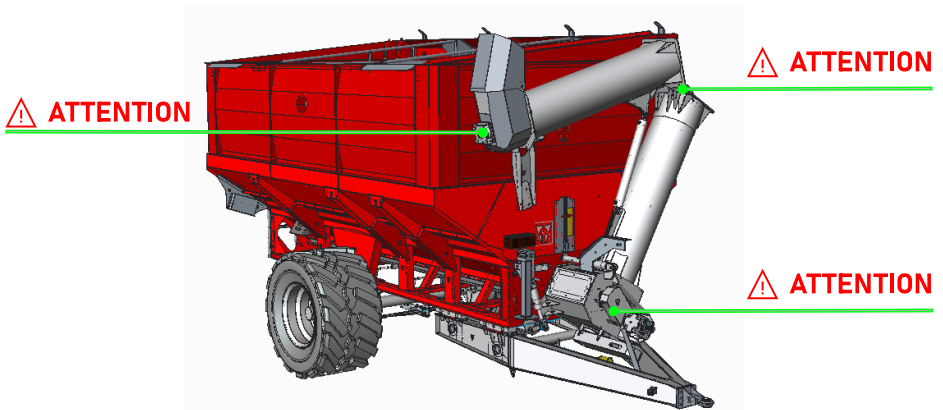
SERVICE

Lubricating

The implement should be lubricated regularly and after every pressure wash. This ensures operational reliability and reduces the costs of repair work and down times.

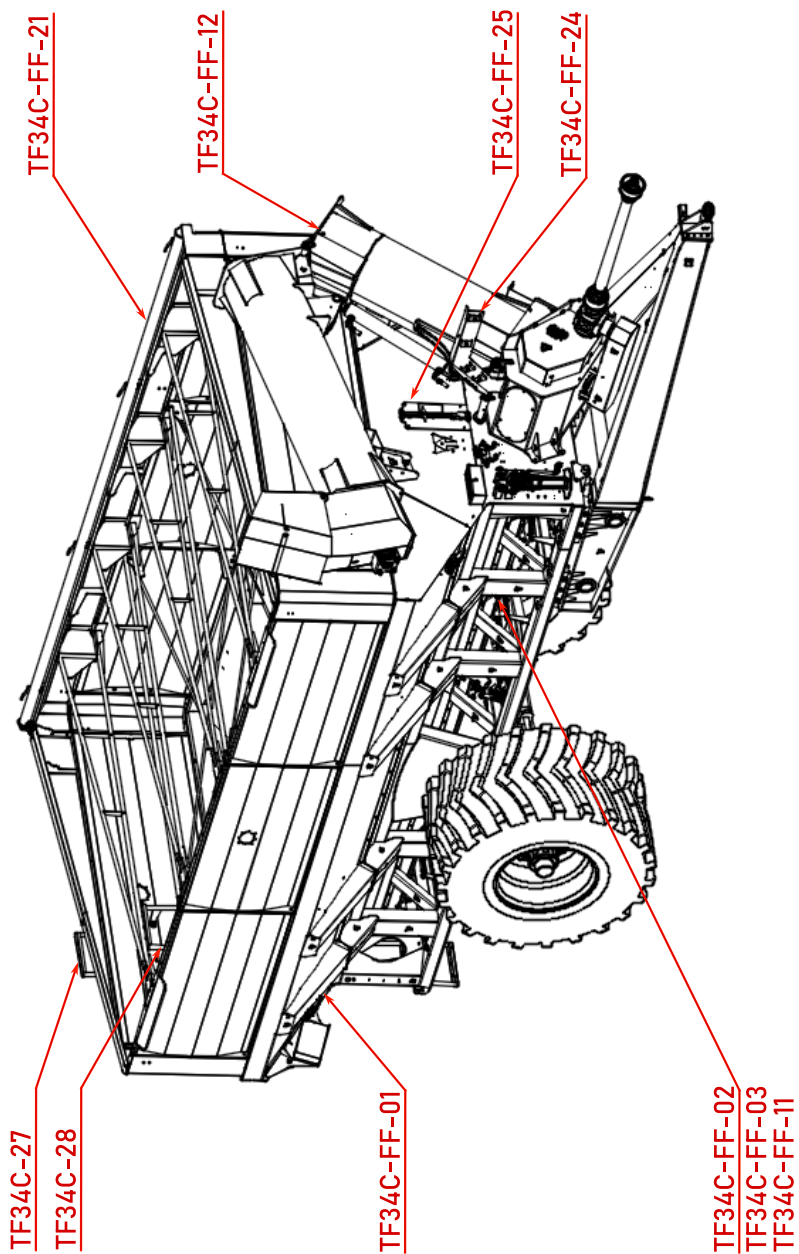
Lubricate the drive chains regularly.
Grease bearings as necessary. **Do not over grease bearings.**

Lubricate the hinges and other moving parts.



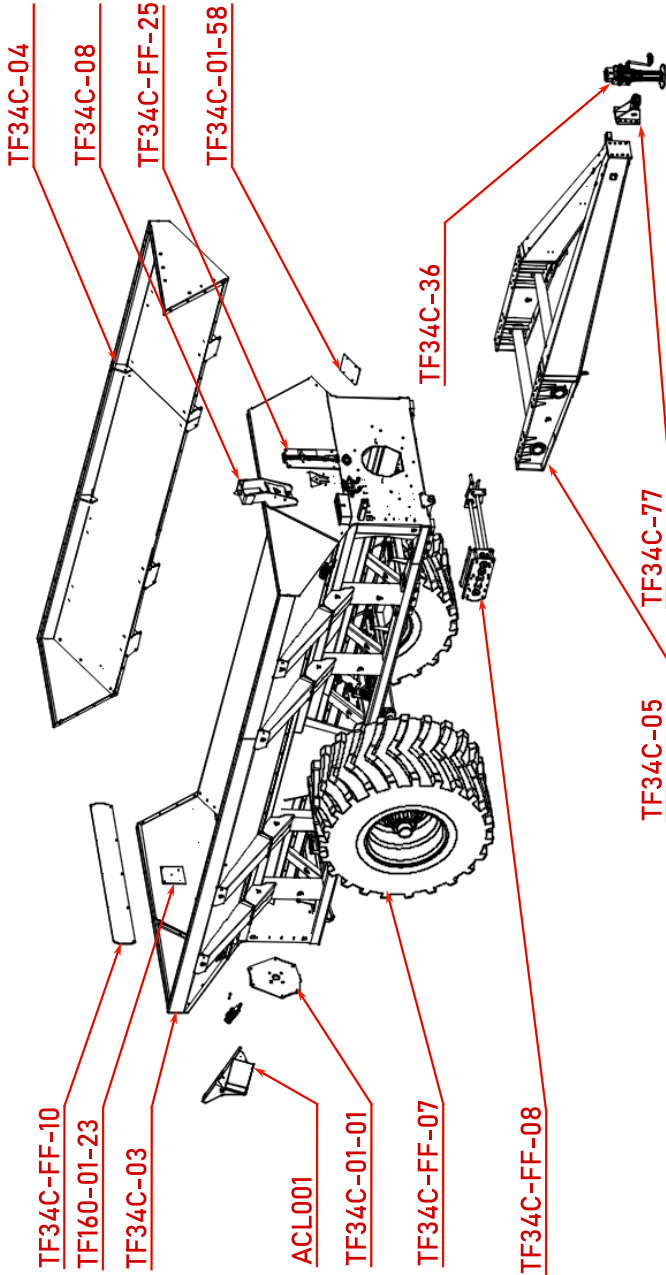
SPARES

TF34C-FF-00



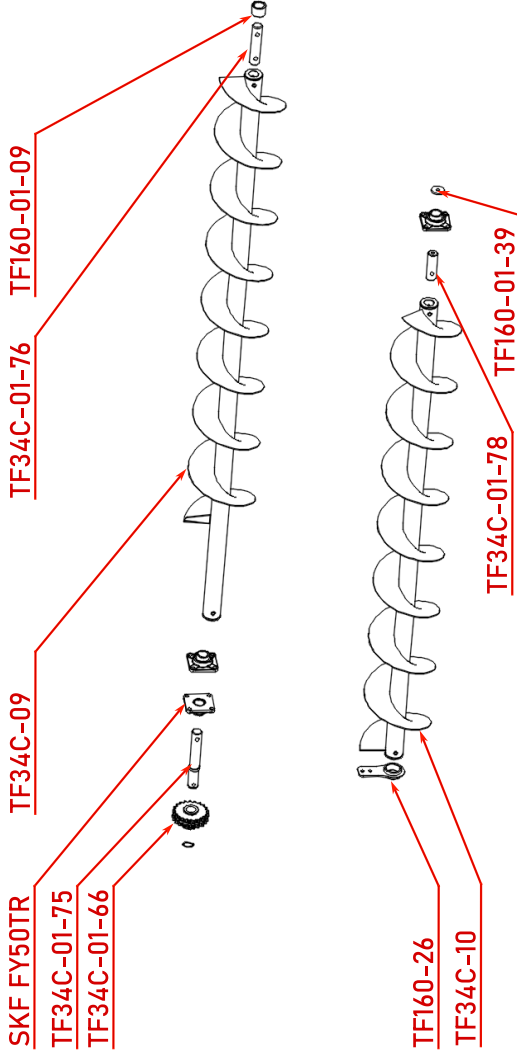
SPARES

TF34C-FF-01



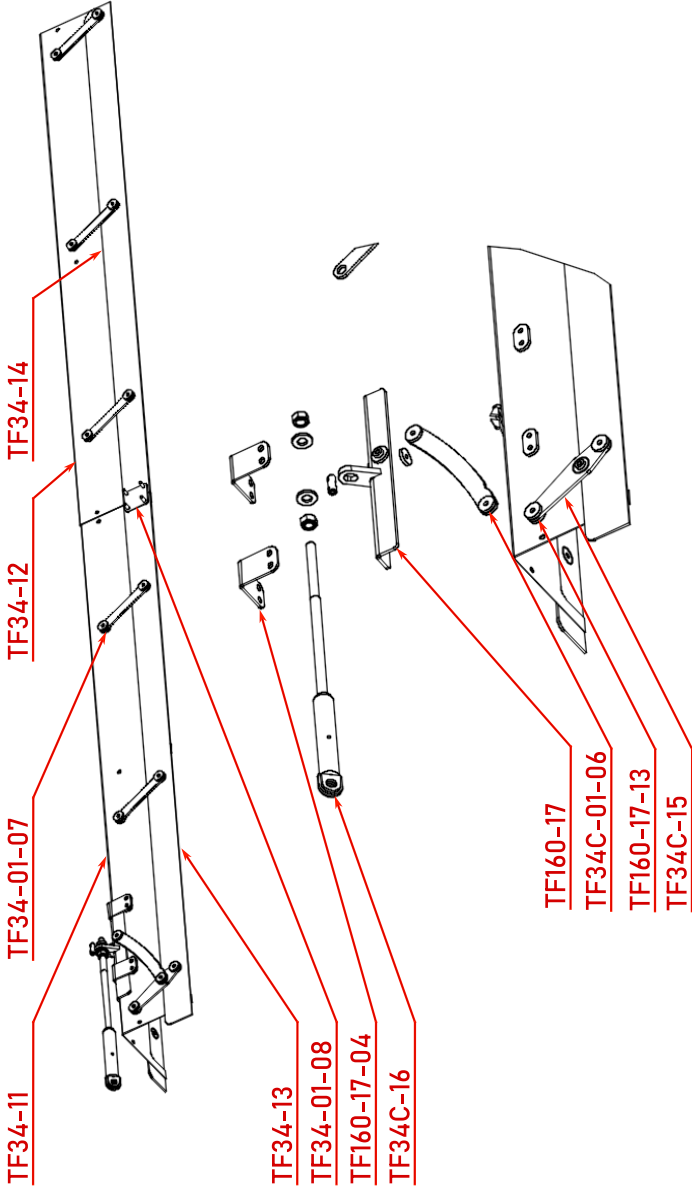
SPARES

TF34C-FF-02 BELLY AUGER



SPARES

TF34C-FF-03



SPARES

TF34C-FF-07

TF34C-01-49

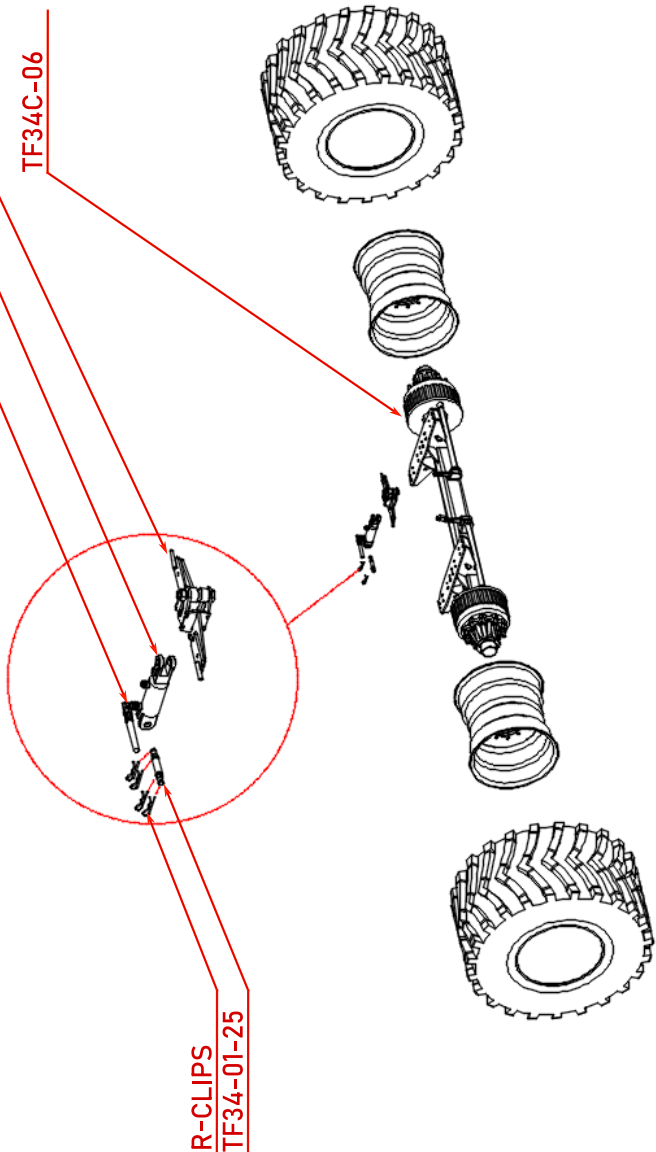
603050 HDB

TF34C-FF-20

TF34C-06

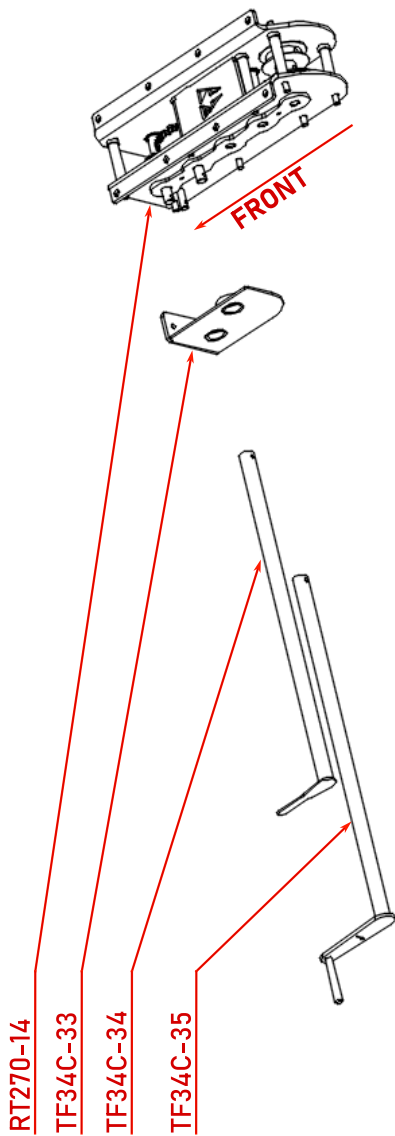
R-CLIPS

TF34-01-25



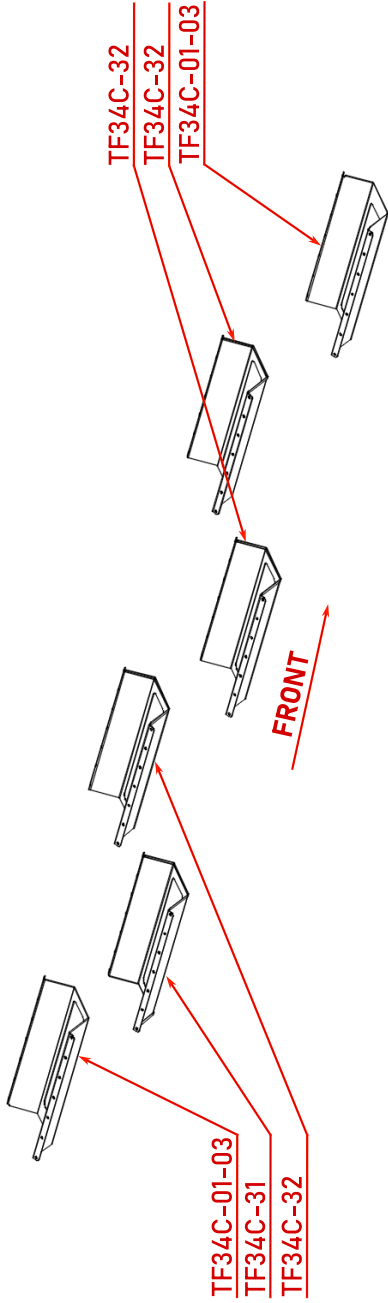
SPARES

TF34C-FF-08



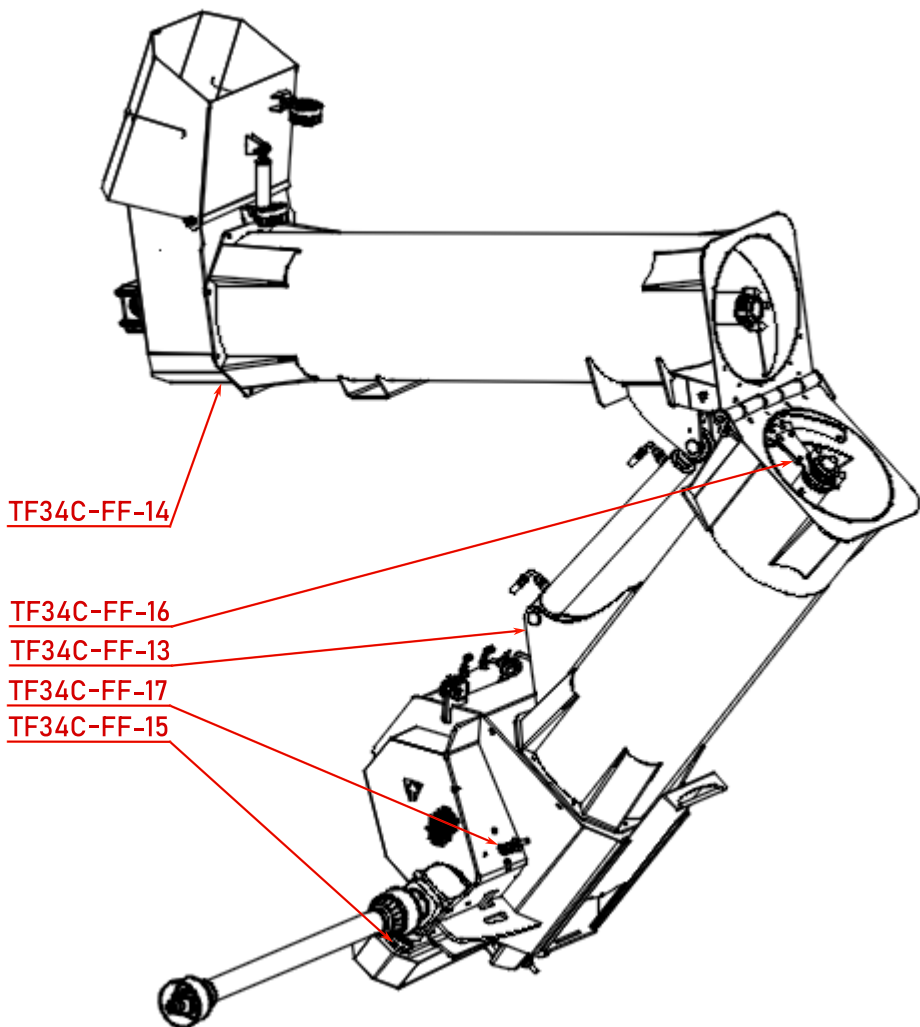
SPARES

TF24C-FF-11



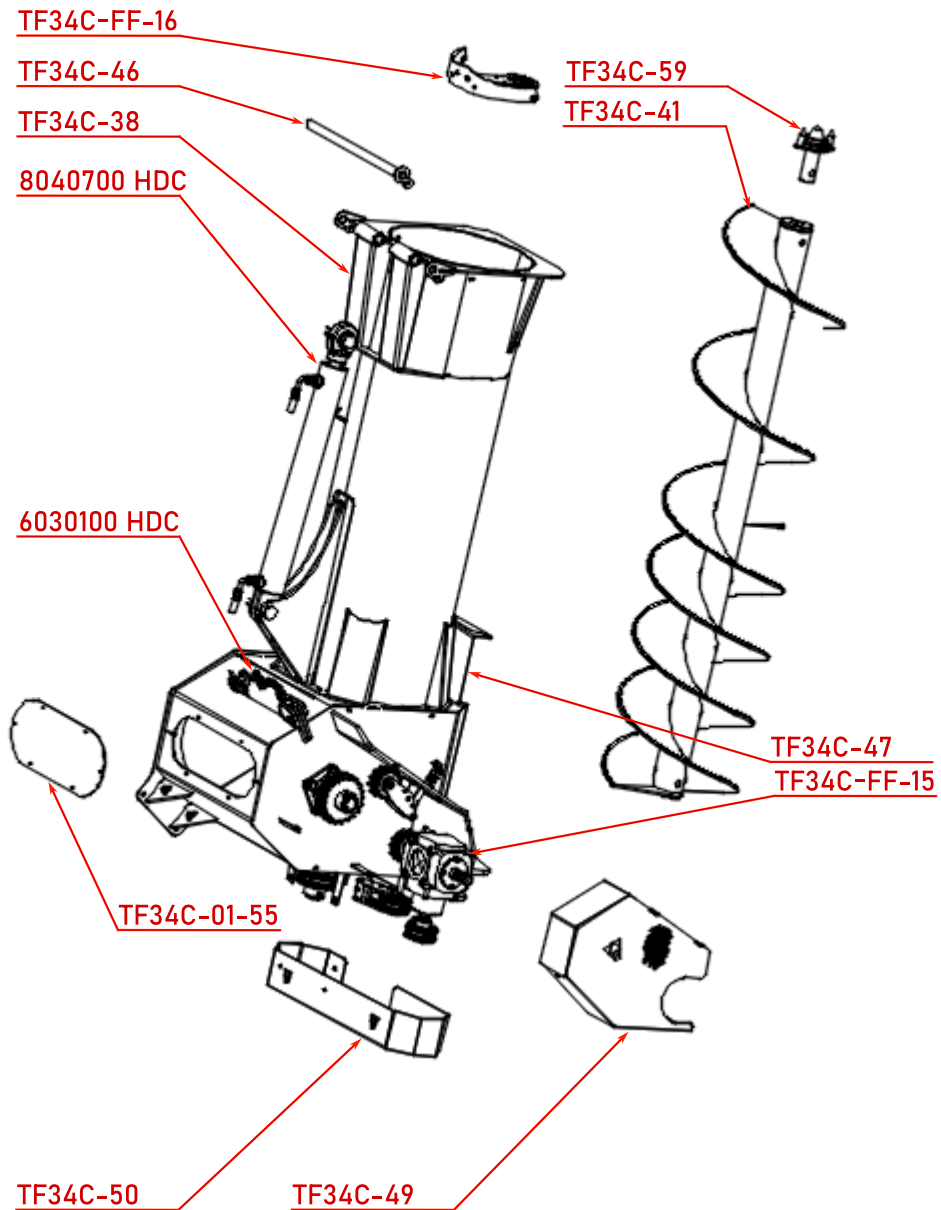
SPARES

TF34C-FF-12



SPARES

TF34C-FF-13



SPARES

TF34C-FF-14

TF160-01-39

TF160-01-15

SKF FY50

TF34C-FF-16

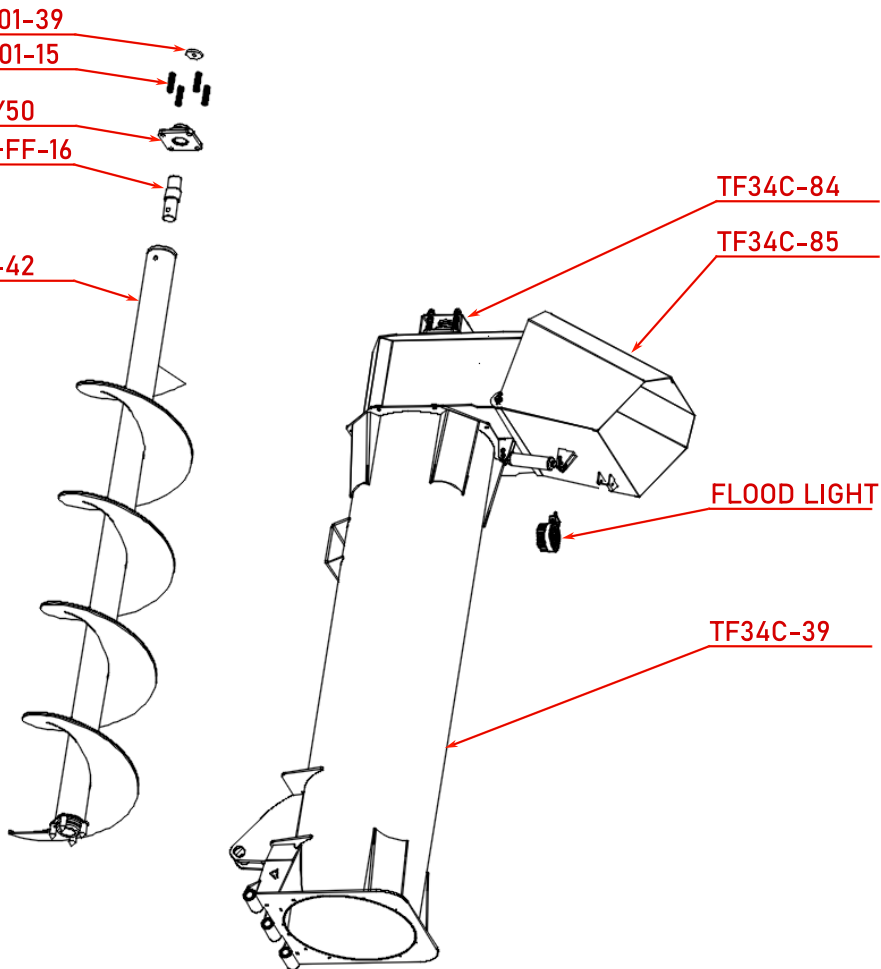
TF34C-42

TF34C-84

TF34C-85

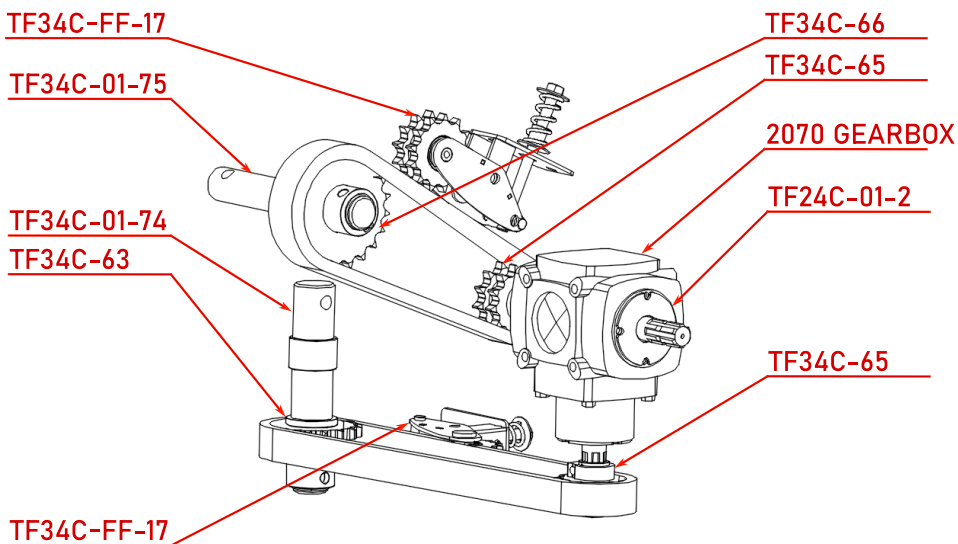
FLOOD LIGHT

TF34C-39



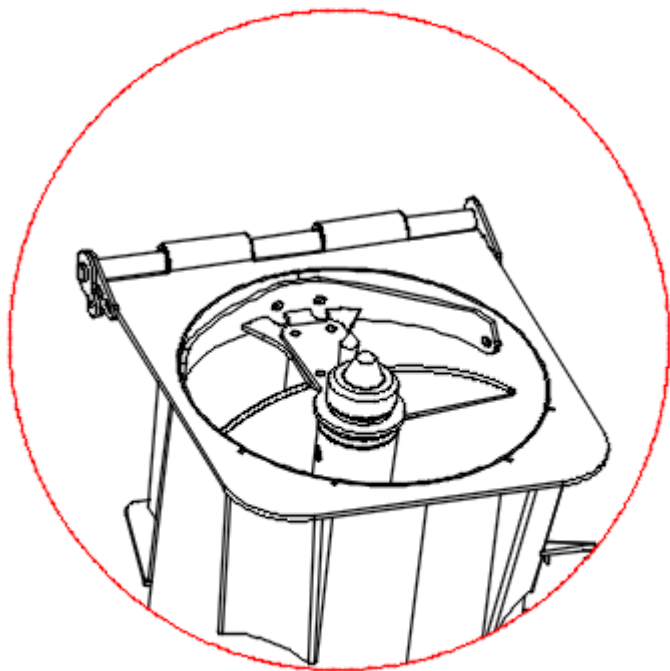
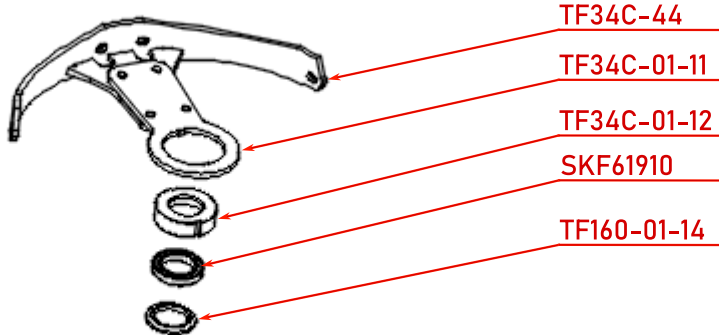
SPARES

TF34C-FF-15



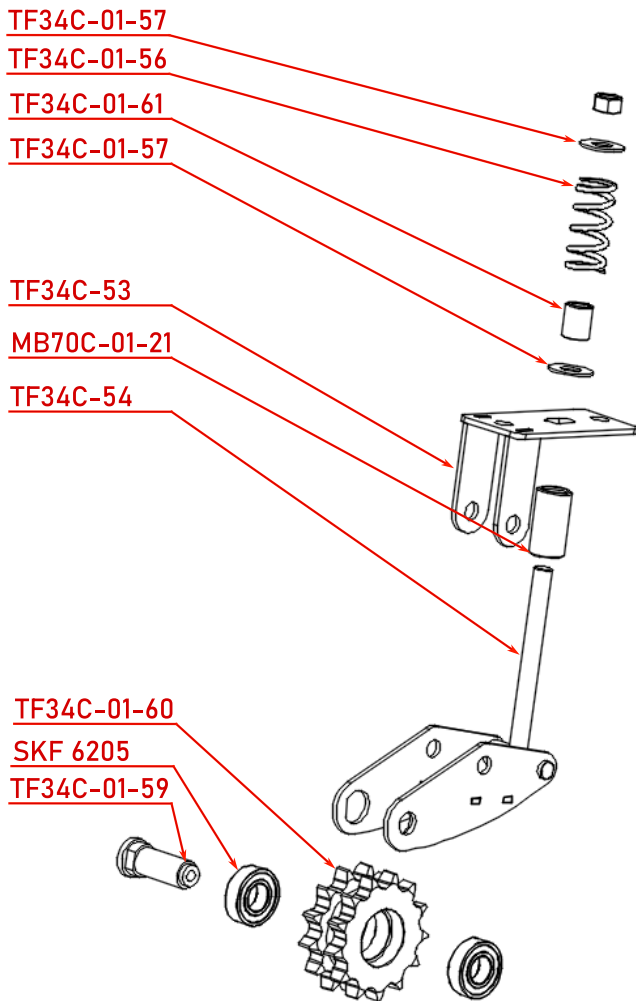
SPARES

TF34C-FF-16



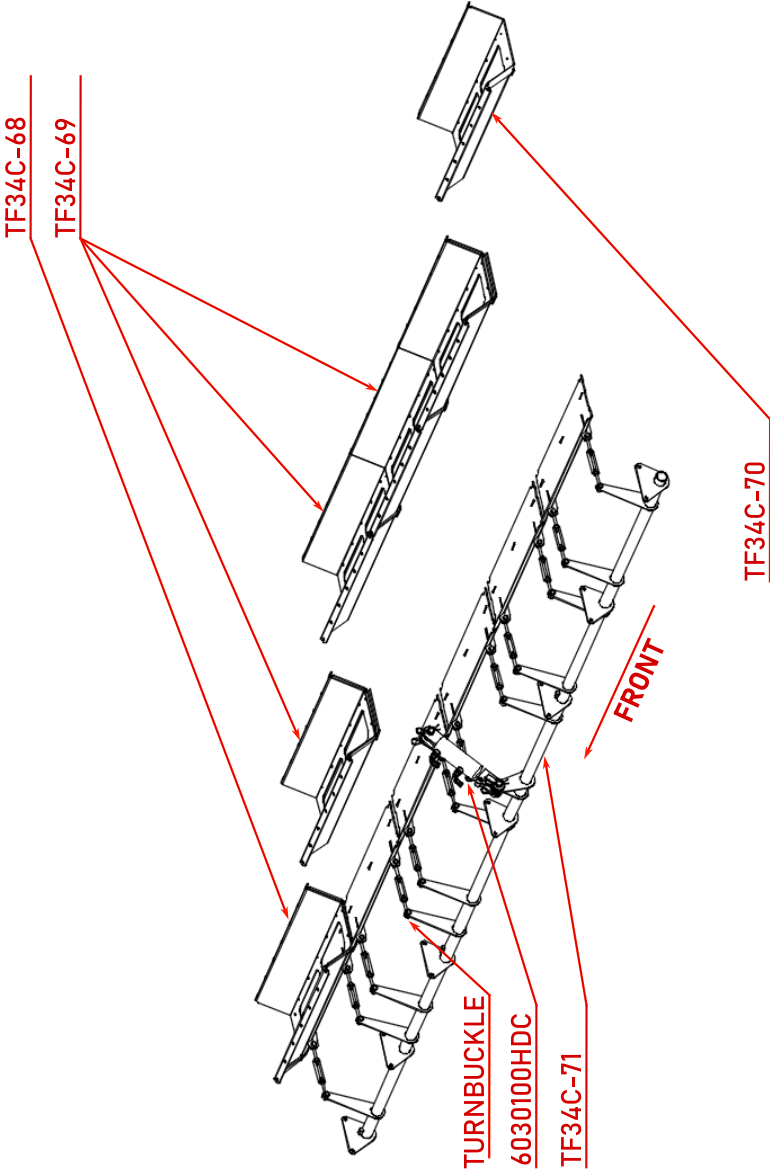
SPARES

TF34C-FF-17



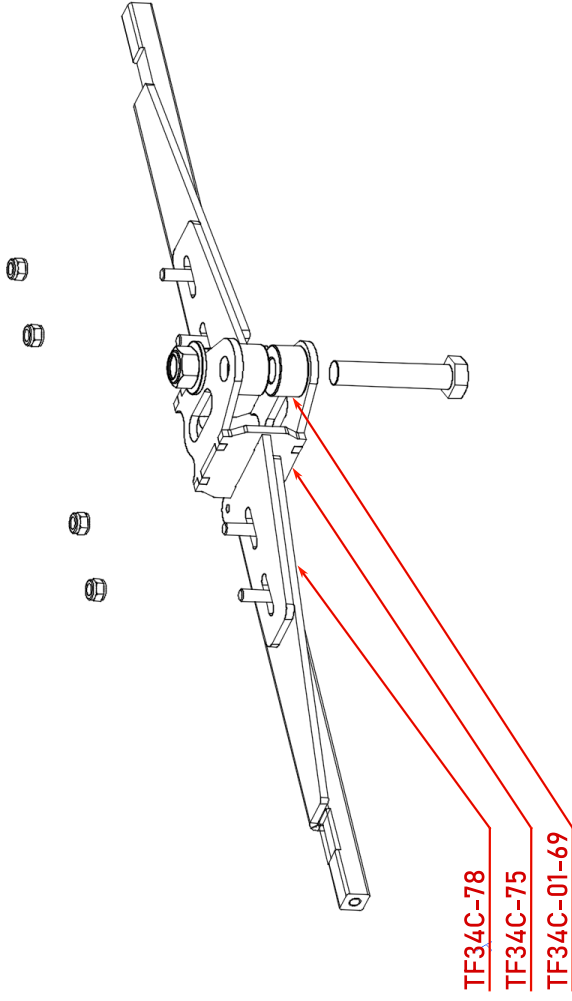
SPARES

TF34C-FF-19



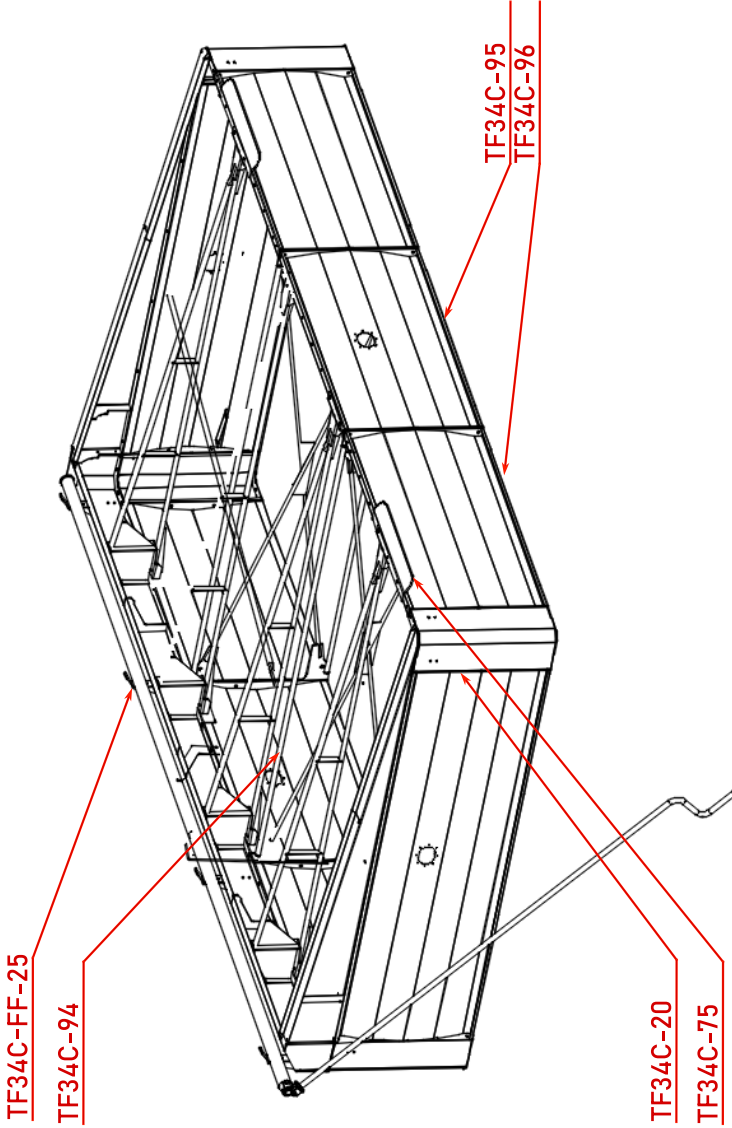
SPARES

TF34C-FF-20



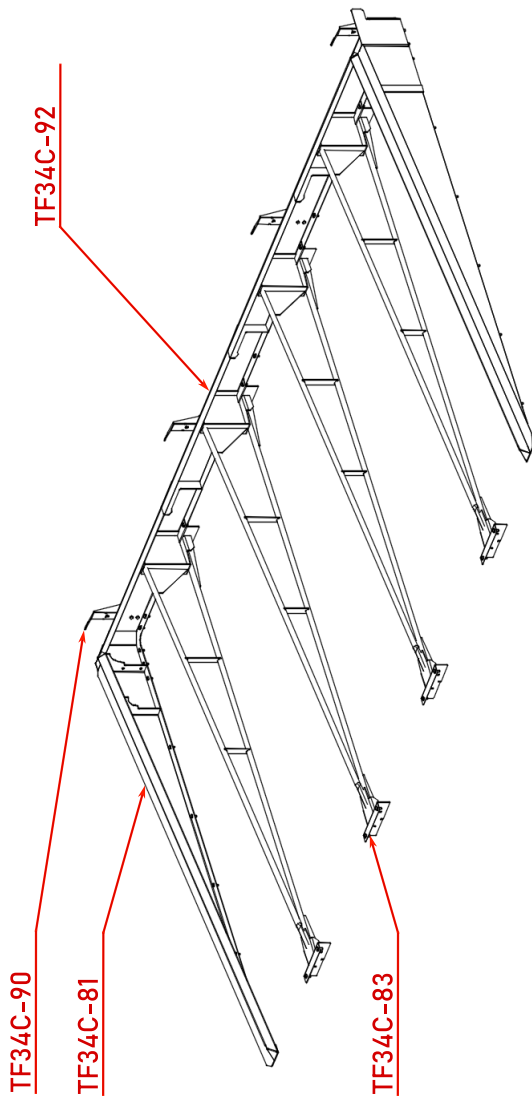
SPARES

TF34C-FF-21



SPARES

TF34C-FF-25





WARRANTY REGISTRATION

Dealer to complete and send to info@agricad.co.za

Implement: _____

Serial Number: _____

Dealer: _____

Customer Name: _____

Date of Sale: _____

Client Signature: _____

Dealer Stamp

This implement carries a two year warranty on parts and workmanship under normal and intended use. This warranty is limited to the repair and/or replacement of defective parts.

No wear parts are covered under this warranty

