

AgriCAD LR094



Owners Manual



Introduction

1. Foreword

Before operating the implement, read and strictly comply with the operating instructions. In doing so, you will avoid accidents, reduce repair costs and downtime and increase the reliability and service life of your machine. Pay attention to the safety instructions! AgriCAD will not be liable for any damage or malfunctions resulting from failure to comply with the operating instructions.

These operating instructions will assist you in getting to know your implement and in using it correctly for its intended purposes. The operating instructions must be read and strictly adhered to by all persons working on or with the implement.

e.g. Operation (including preparation, fault rectification during work and servicing)

Maintenance (maintenance and inspection)

Transport

We reserve the right to alter illustrations as well as technical data and weight contained in these operating instructions for the purpose of improving the implement without notice.

2. Warranty claims

This implement carries a one year warranty on parts and workmanship.

Wear parts are not covered by this warranty.

3. Intended use

The implement was built in accordance with latest technical standards and generally accepted safety regulations. However, risks of injury to the operator or third parties and impairment of the implement or other tangible assets can occur during use.

The implement must only be operated for its intended use if in a technically good condition, whilst being aware of safety and risks and in strict compliance with the operating instructions!

Faults, particularly those which impair safety, must be remedied immediately. The implement must only be operated, serviced and repaired by persons who are familiar with it and have been made aware of the dangers involved.

Genuine spare parts and accessories from AgriCAD are available for this implement. Spare parts and accessories which are not supplied by AgriCAD, have not been tested or approved by AgriCAD.

Installation or use of non-original AgriCAD products may have a detrimental effect on specific design features of the implement and impair the safety of implement operators and the implement itself.

AgriCAD will not assume liability whatsoever for damage resulting from the use of non-original parts and accessories.

The implement was designed to level field surfaces in a agricultural application. Any other use beyond this limits, e.g. as a means of transport, is deemed improper.

AgriCAD will not assume liability whatsoever for damage resulting from unintended use. The risk will be borne solely by the user.

Intended use also includes the strict compliance with the operating instructions specified by the AgriCAD.

3.1 Consequential damage

The Implement was manufactured by AgriCAD with great care. Nevertheless, even when used properly, malfunctions or failure may be caused by e.g.:

Damage to cylinders resulting from operating error)

Improper usage on uneven fields like contour walls.

In appropriate speed and use when in transport between fields.

You should therefore check the correct function of your machine before and during use.

Liability for consequential damages caused by incorrect operation of the implement is excluded.

3.2 Authorised operators

Operators must be at least 16 years of age.

The operator is responsible for third parties in the operating area.

Only those persons who have been authorised and instructed by the owner may operate the implement.

The owner must:

Make the operating instructions available to the operator.

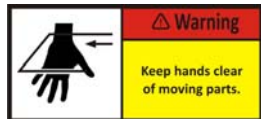
Ensure that the operator understood the operating instructions.

The operating instructions are an integral part of the implement.

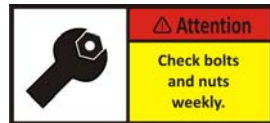
Safety and accident prevention

The following warnings and safety instructions apply to all sections in these operating instructions.

Example of Safety symbols



Example of Operational Symbols



Operational safety

All protective features and safety equipment, such as detachable protective devices, must be correctly in place and reliably functioning before the machine is put into operation.

Check and tighten nuts and bolts at regular intervals.

Check tyre pressure regularly.

In case of malfunctions immediately stop and secure the machine.

Road traffic safety

This implement is manufactured as an agricultural implement and must only be used as an implement on the public roads.

Passengers are strictly forbidden to ride on the machine!

Hitching / unhitching

There is a risk of injury to persons when hitching/un-hitching the machine to the drawbar of the tractor.

Only park the machine on a firm and level surface.

Take special care when reversing the tractor.

Never stand between the tractor and implement hitch.

Service and maintenance

Ensure that regular inspections are always carried out.

Prior to performing maintenance and servicing work, ensure that the implement is positioned on firm, level ground.

Before cleaning the implement with high pressure cleaning equipment cover all openings, which should stay clear of water, steam or cleaning agents for reasons of safety or operation.

Do not aim the water jet directly at electrical or electronic components.

Re-tighten screwed connections which have been loosened during servicing and maintenance work.

Take extreme caution when washing with steam-jet or high pressure washers implement can be damaged.

Hydraulic connections

Do not connect hydraulic lines to the tractor, before both hydraulic systems (Implement and tractor) are de-pressurised.

The hydraulic system is under high pressure. Check all lines, hoses and screwed connections regularly for leaks and any visible external damage.

After cleaning, check all hydraulic lines for leaks and loose connections.

Check hoses for chafing and signs of other damage.

The hydraulic connections between the tractor and implement are colour-coded in order to exclude operating errors.

In operation

Check the area around the implement for unauthorised persons before setting off and starting operation of the implement.

Stay clear of the operating range of hydraulically operated parts.

Use access steps and treads only at standstill.

Passengers are not allowed to ride on the machine during operation!

Technical data

In transport Mode

Dimensions and weights

Width:4.60 m
 Height:.....2.95 m
 Length:6.00 m

In Working Mode

Dimensions and weights

Width:9.78 m
 Height:.....2.95 m
 Length:6.80 m

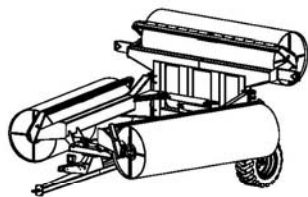
Standard design

Tyres:.....400/60R15.5
 Tyre pressure:..... 4 Bar

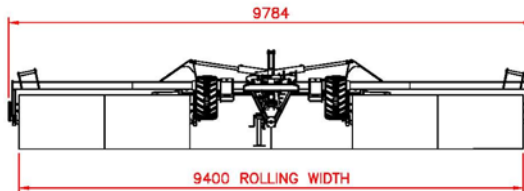
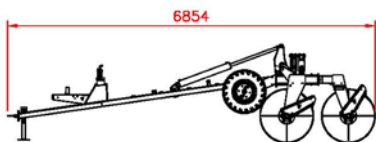
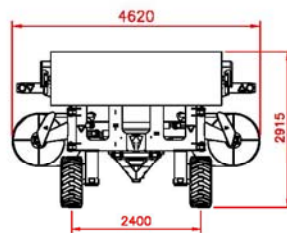
Minimum tractor specification

Minimum tractor power required:58+ kW
 Minimum hydraulic flow rate:20 l/min
 Hydraulic ports:2 Double acting.
 Hydraulic ports:1 Single acting.
 1 x double acting:Wings.
 1 x double acting:Frame.
 1 x single acting:Transport lock.

LR 094



UNIT WEIGHT: 4000kg
 SCORING WIDTH: 9400mm
 TRANSPORT WIDTH: 4620mm
 ROLLER T: 41000mm
 FOLDING: Hydraulic
 TRANSPORT LOCKS: Hydraulic
 HYDRAULIC CIRCUITS: 3 SETS
 TRACTOR SIZE: 50+ HP
 TYRES: 400/60 15.5 RELIEF
 EMERGENCY INDICATORS - 2
 REFLECTIVE TRIANGLES - 7



Operating instructions

Capacity of tyres

Check the air pressure regularly, preferably every day.
Under inflating of the tyres may cause damage to the tyres and rims.
When transporting the land roller only travel at speeds below 40km/h.

Hitching the land roller

Attention!
Refer to Safety and accident prevention

Hitch the land roller to the tractor.
Wind up the landing leg and store it in the landing leg bracket.
Connect quick coupling hydraulic hoses.

Coupling of hydraulic system.

Attention!
Refer to Safety and accident prevention

Attention!
No persons should be in the operating range of the land roller.

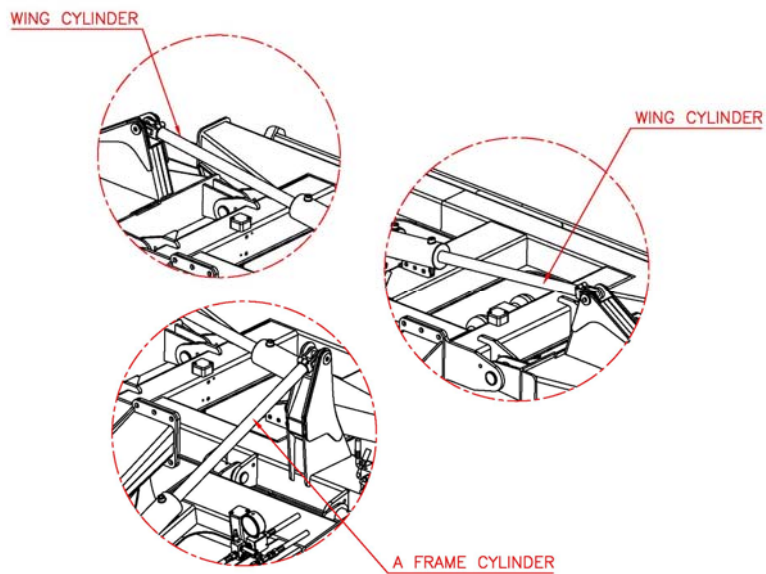
Connecting hydraulic hoses to the tractor.

- 1 x double acting: Wings.
- 1 x double acting: A Frame.
- 1 x single acting: Transport lock.

Operating instructions

Attention!
Do not operate the implement if the A Frame cylinder is not in "Float" mode.

Attention!
By not operating the A Frame cylinder in "Float" mode the cylinder may be damaged.



Operating instructions

Working with active accumalator

To ensure this implement work with a constant pressure over working length, the accumalator can be activated by taking the following steps



When in doubt operate implement with tractor hydraulics in float mode



Warning! - Hydraulic fluid under pressure



Warning! - Operating implement with pressures above 150 Bar could damage hydraulic cylinders

In transport position:



1.) Unlock transport locks.



2.) Note position of implement.

Extend wing cylinders to max position
Release pressure by engaging hydraulic "Float" mode
Reading on pressure gauge should be **0 Bar**
Return tractor hydraulics to cylinder mode



3.) "Roll" implement into working position.

i.) Once in working position, make sure the A-Frame cylinder is in "Float" mode.
Failure to do so can damage the cylinder.



4.) There are two modes of operation:

- i.) Continues pressure mode for even, level terrain / fields.
- ii.) Floating mode used for uneven terrain / fields.

5.) The operator should monitor gauge pressure especially when working on uneven terrain or near contours.

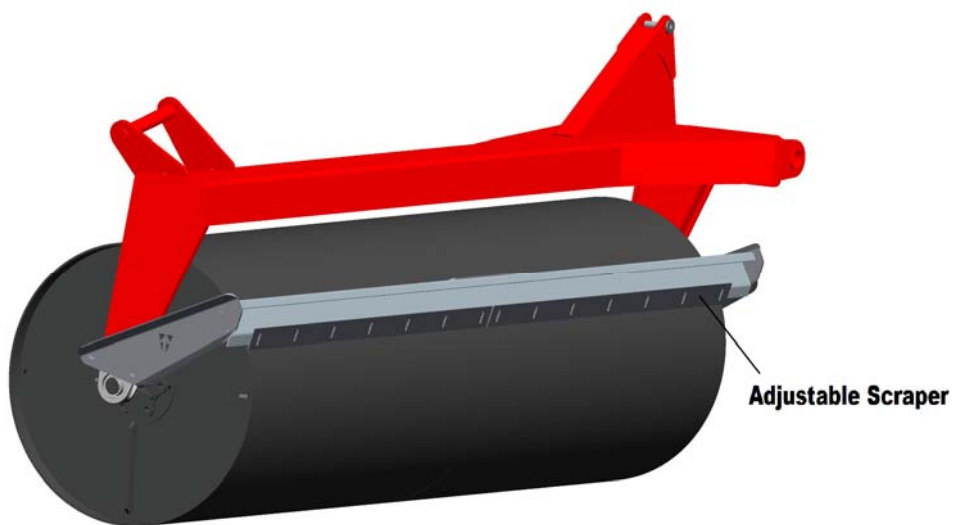
Pressure not to exceed **150 Bar** (Red Section)



Adjustable Scraper.

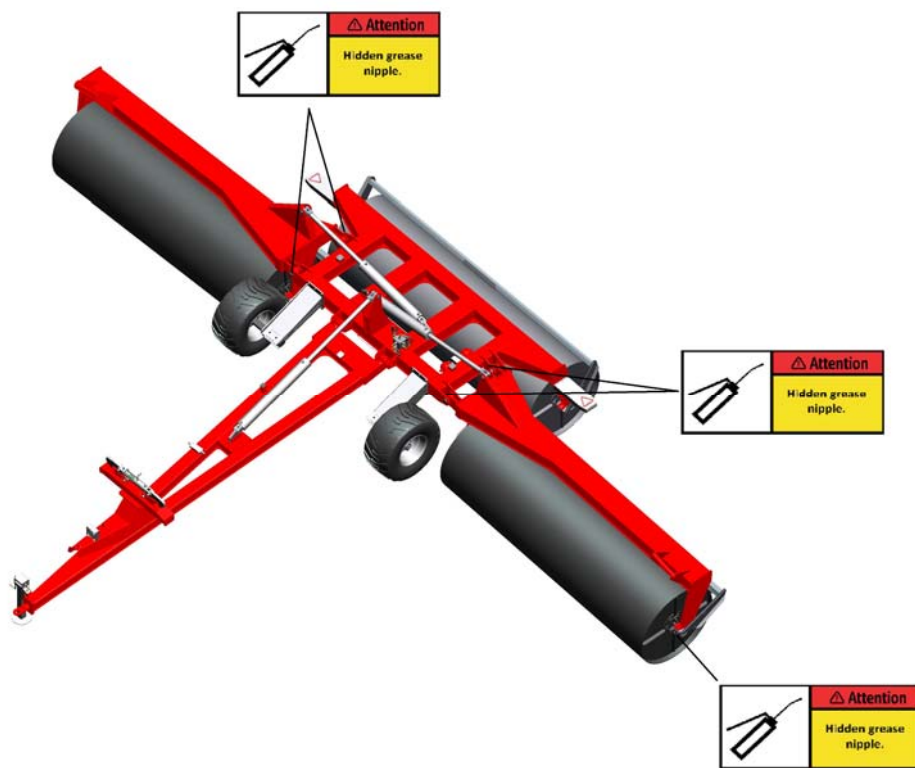
The adjustable scraper is located at the rear of the drum and can be adjusted by means of loosening of bolts.

The purpose of the scraper is to scrap soil of the drum well in operation. The scrapers **MUST** be 5 to 10mm from the drum.



Lubricating the implement

The implement should be lubricated regularly and after every pressure wash. This ensures operational reliability and reduces the costs of repair work and down times.



Service & Storing.

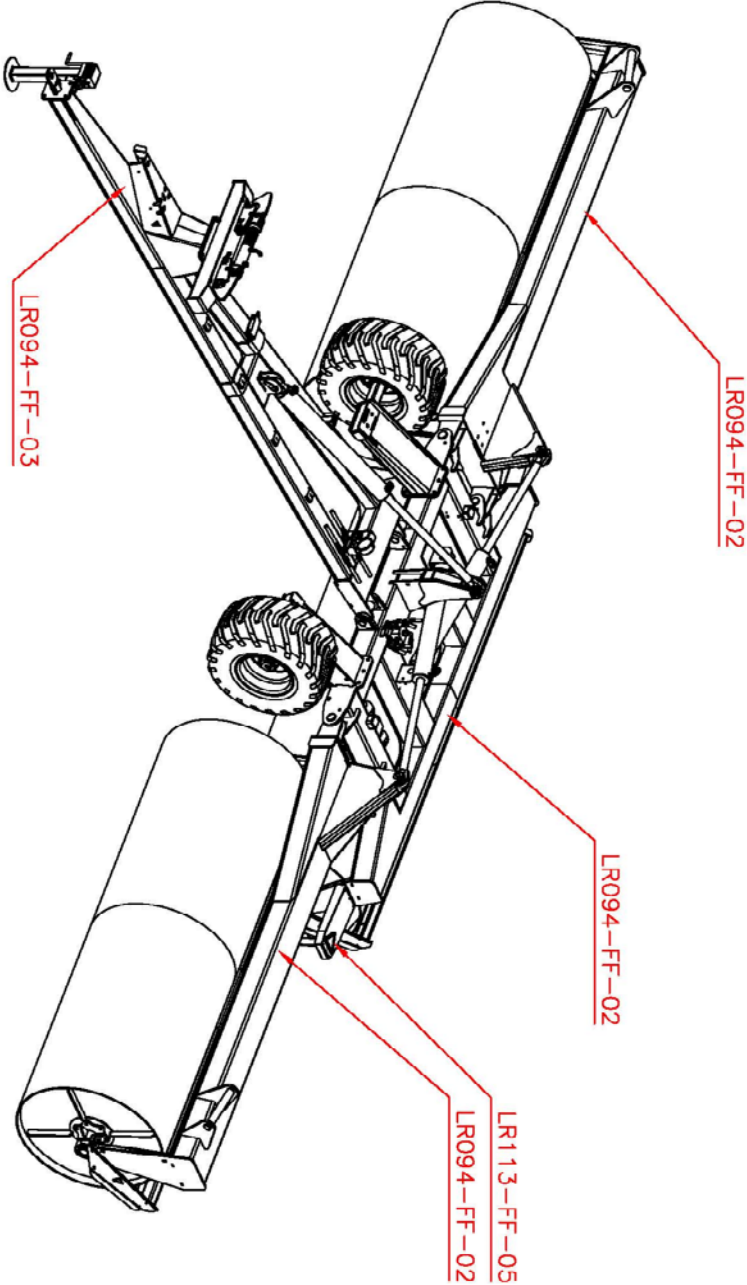
Storing & parking the implement

The implement should be parked under a roof.
Park the implement on level and solid ground.
Use landing leg to store implement.
Disconnect hydraulic connector and hook into provided storage holders.
Take care to protect the land roller against pest animals like rodents, mice and rats.

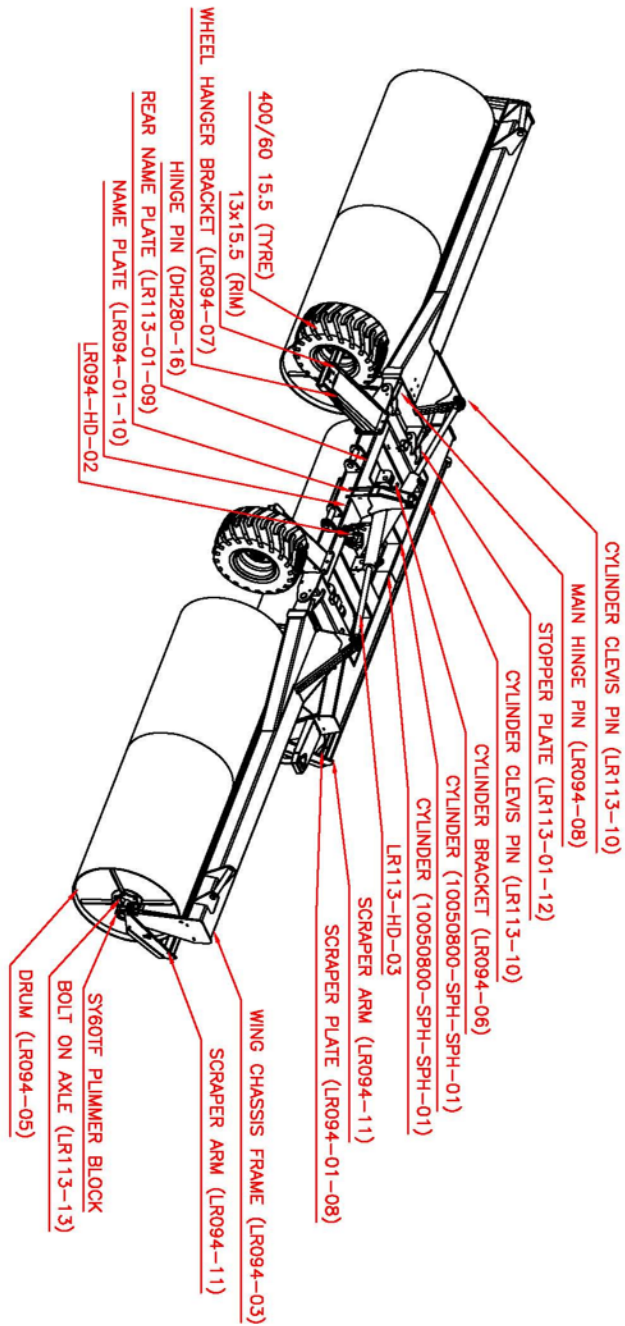
Cleaning

The recommended cleaning and maintenance work should be carried out at regular intervals in order to maintain operation reliability and guarantee optimum performance. The hydraulic cylinders, bearings and stickers should not be cleaned with a high pressure cleaner or direct water jet. The seals and bearings are not waterproof under high pressure.

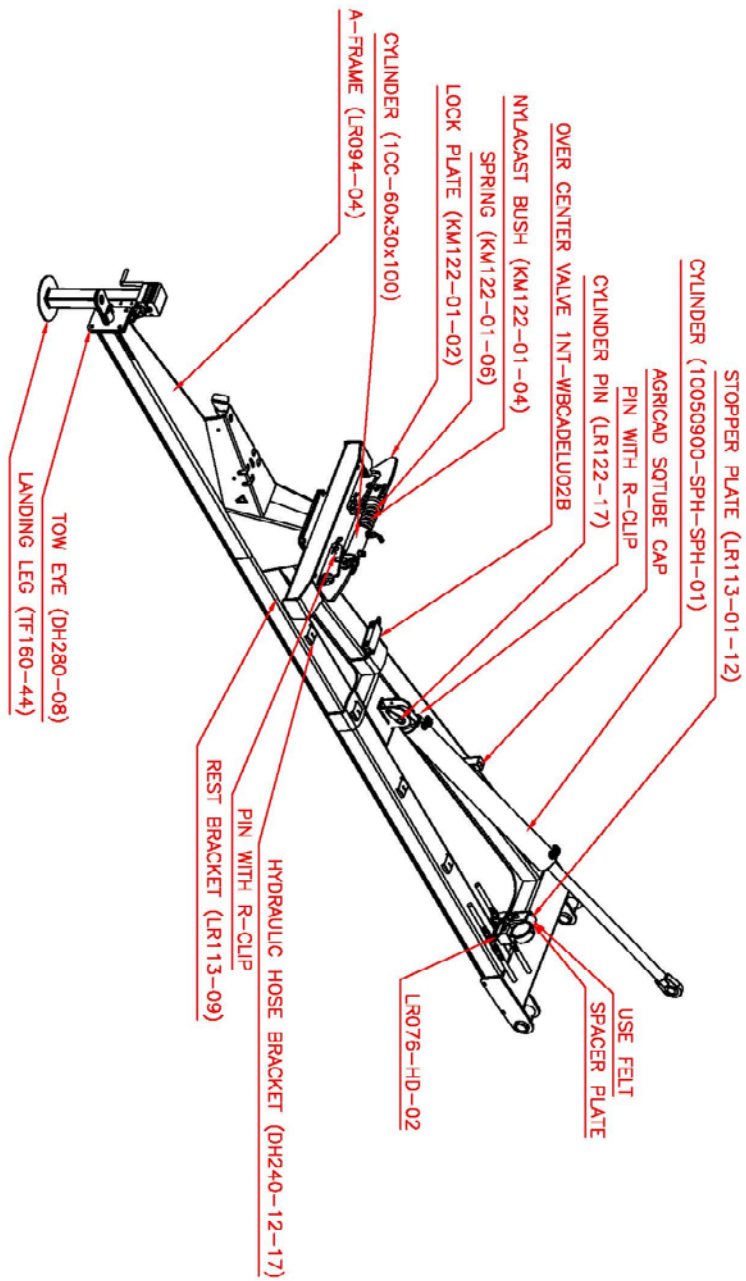
LR094-FF-01 - Main Frame Assembly



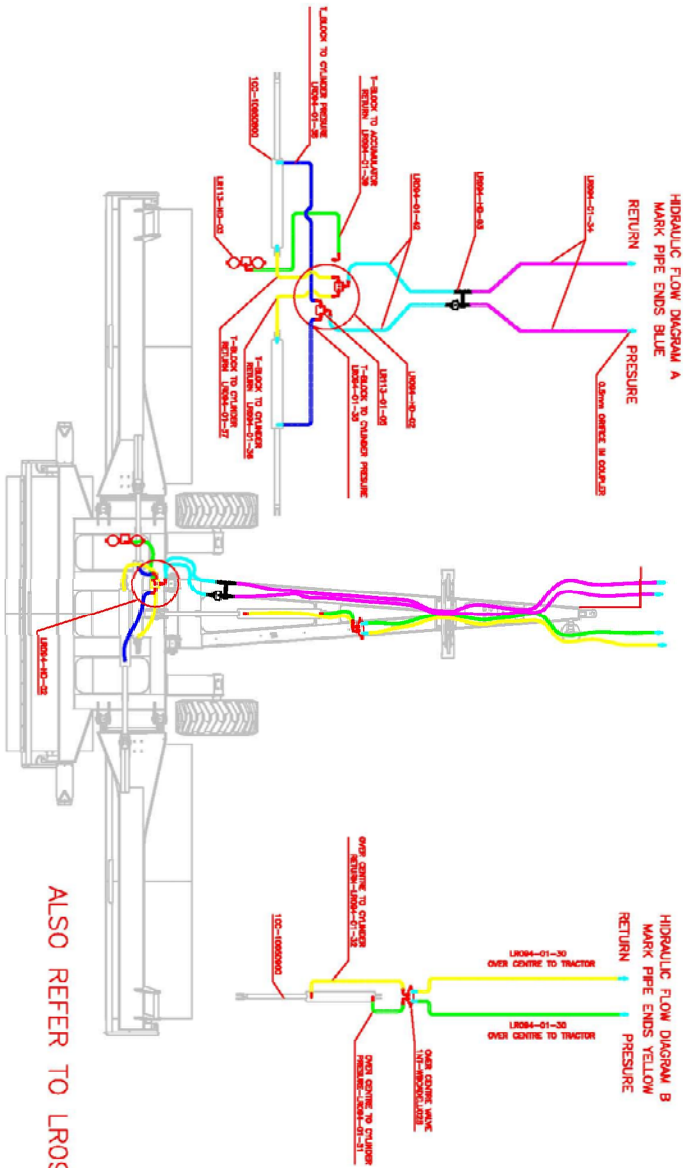
LR094-FF-02 - Frame Assembly



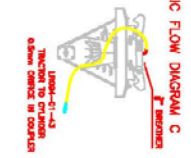
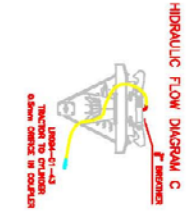
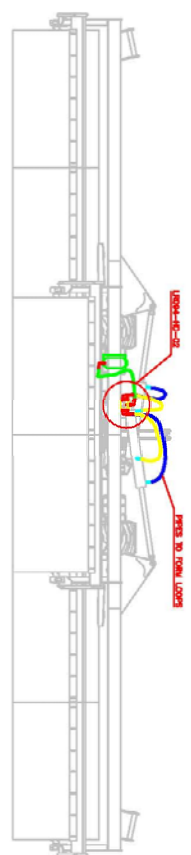
LR094-FF-03 - A Frame Assembly



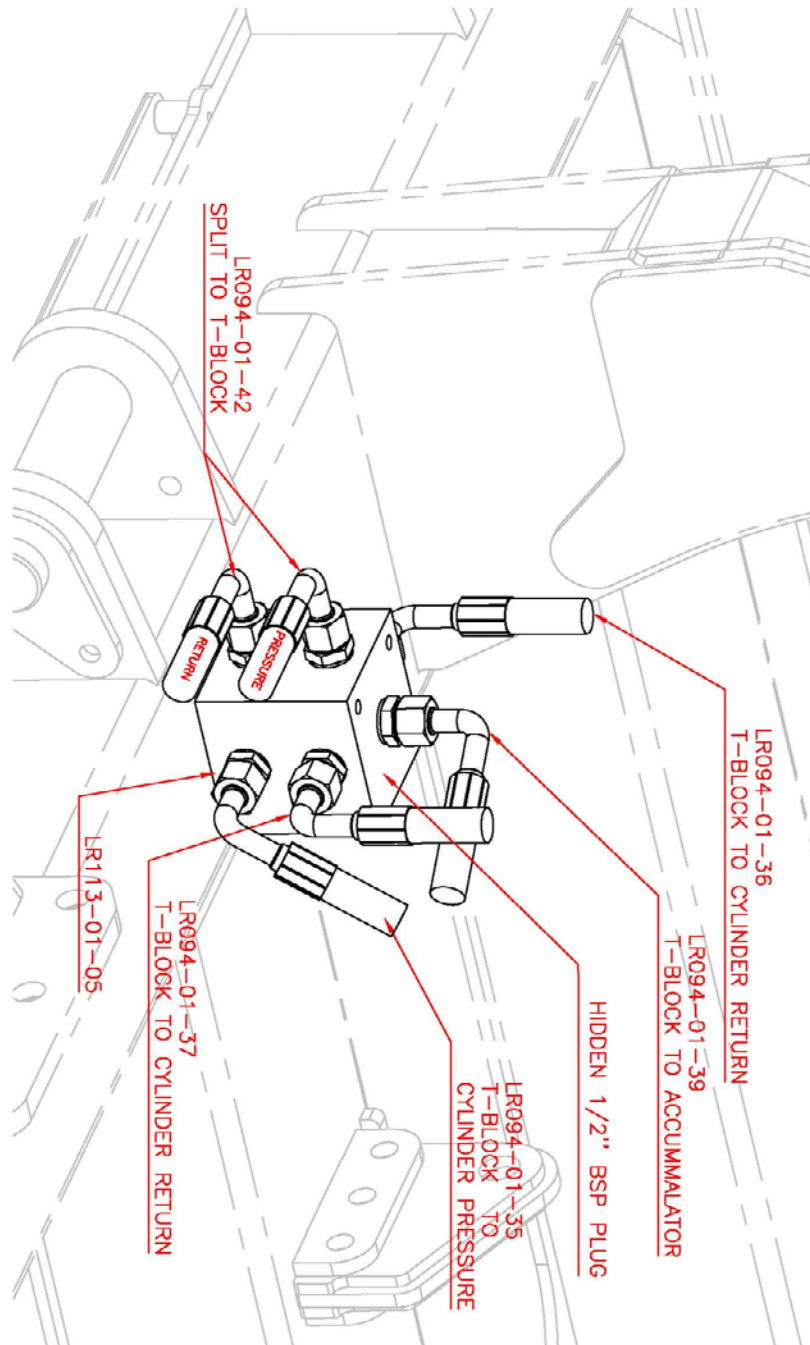
LR094-HD-01



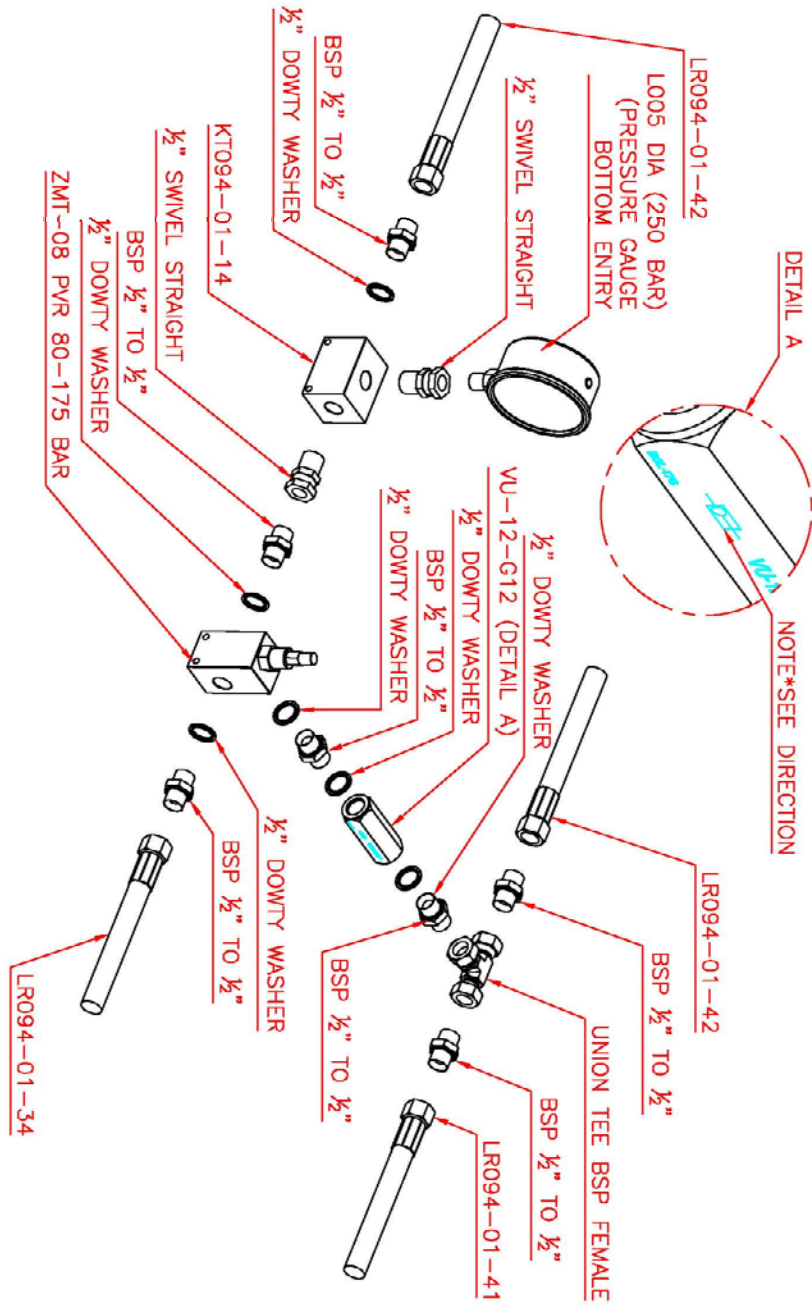
ALSO REFER TO LR094-HD-02



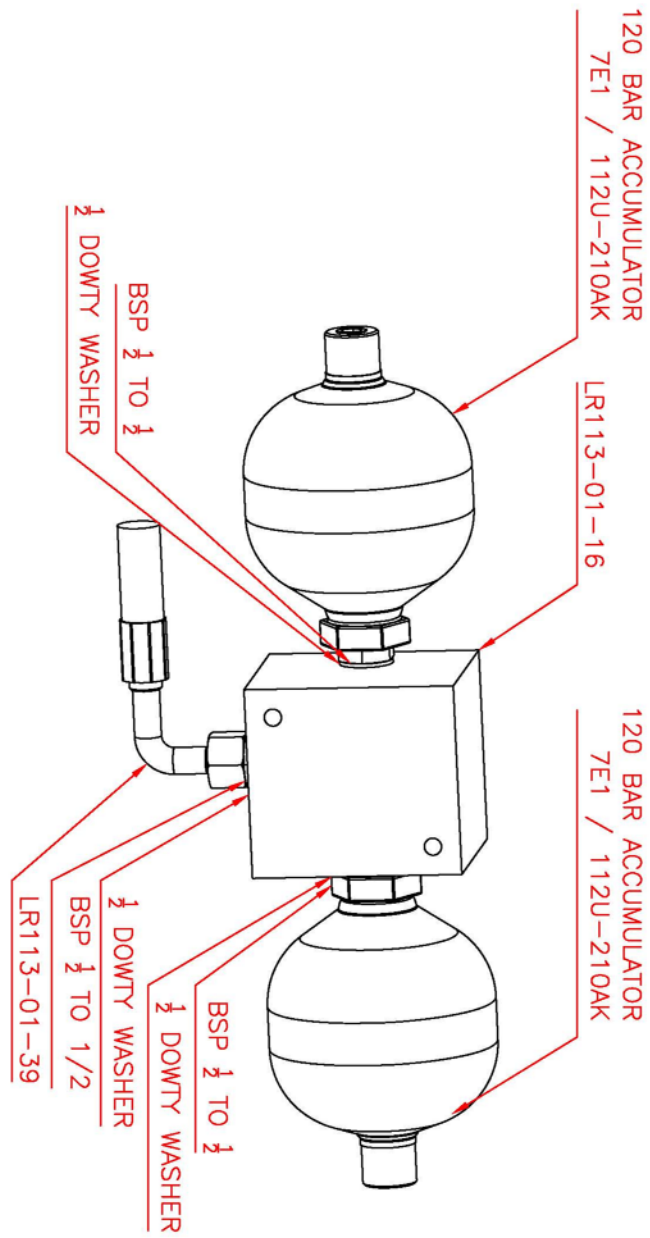
LR094-HD-02



LR076-HD-02



LR113-HD-01



This page was left blank intentionally.



WARRANTY REGISTRATION

Dealer to complete and send to Info@agricad.co.za or fax to 0861001203

Implement:

Serial Number:

Dealer:

Customer Name:

Date of Sale:

Signature Client:

Dealer Stamp:

This implement carries a one year warranty on parts and workmanship under normal and intended use. This warranty is limited to the repair and/or replacement of defective parts.

No wear parts are covered under warranty.

This page was left blank intentionally.

Manufactured in South Africa

for African conditions by

AgriCAD Pty (Ltd)

www.agricad.co.za

Tel: 0861001204

For any assistance with AgriCAD spare parts email

us at parts@agricad.co.za



AgriCAD © copyright
all rights reserved